

CATEGORY	DESCRIPTION	P/N #
CONNECTOR	USB 3.0 A MALE 沉板 SMT H=1.90	UB9AM-XXX11-JRVSX01

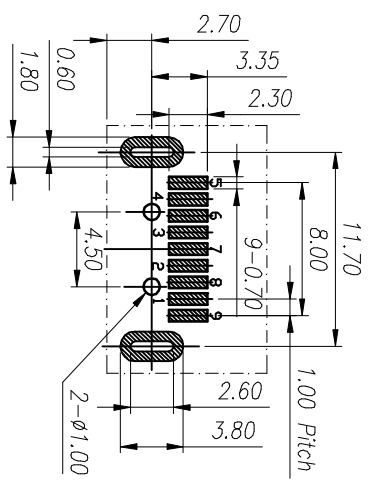
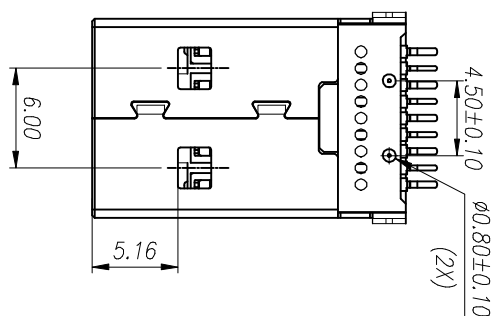
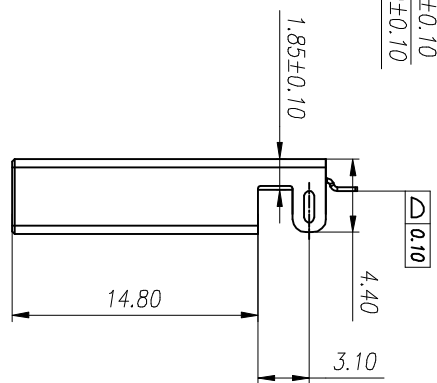
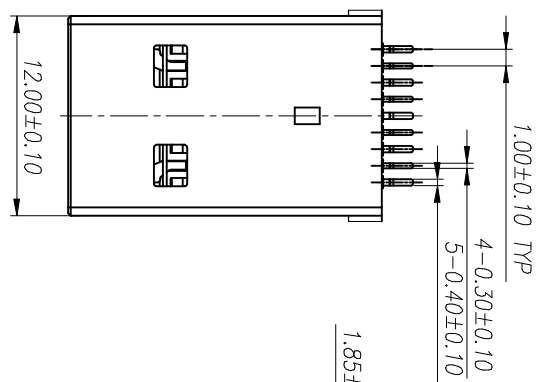
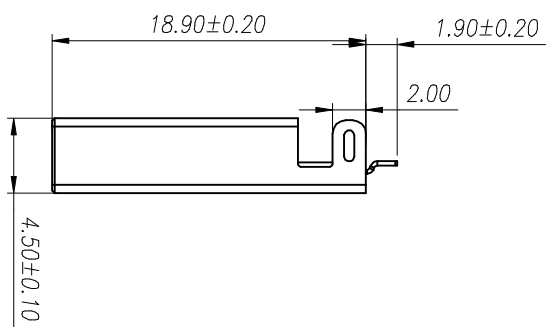
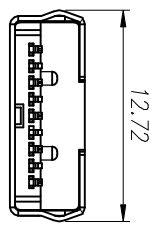
Table 1	
X	塑胶壳材质
C	Brass
S	SPCC

REV.	ECN NO	DESCRIPTION	REVISED	DATE
A01		New Release	KELLY	2013.04.10

Table 2	
X	塑胶颜色区分
B	BLACK
W	WHITE
U	BLUE

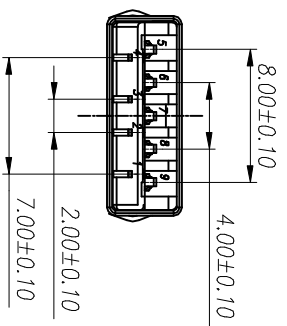
Table 3	
Material & Plating	
X	Terminal Plating
0	Au 1u" Plating
1	Au 3u" Plating
2	Au 6u" Plating
3	Au 15u" Plating
4	Au 30u" Plating

Table 4	
X	Shell Plating
G	Au GF Plating
N	NI Plating



REFERENCE PCB LAYOUT

SPECIFICATIONS:
 Contact current Rating:
 1.8 Amperes for pin 1&pin 4,
 0.25 Amperes for other contacts
 Dielectric Withstanding Voltage:AC 100V(RMS)
 Insulation resistance:100Megaohms Minimum.
 Contact Resistance:
 30mΩ Max for pin1&pin 4
 50mΩ Max for other contacts
 Mechanical Characteristics:
 Mating Force:35 Newtons,Maximum.
 Unmating Force:10 Newtons,Minimum.
MATERIAL:
 Housing: LCP+30%GF 94V-0 COLOR:BLUE
 Contact: copper alloy(T=0.25mm)
 Shell: SPCC
PLATING:
 Contact: Au Plated on contact area
 Tin Plated on solder area
 Nickel underplating over all
 Shell: Nickel Plated
 operating Temperature:-55*o+85*



公差一览表 TOLERANCE UNLESS OTHERWISE			
X.	±0.15	X*.	±5°
.X	±0.10	.X*.	±2°
.XX	±0.05	.XX*.	±1°
.XXX	±0.03	.XXX*.	±0.5°

东莞市合陵电子有限公司
 Dongguan Heling Electronic Co.,LTD

SCALE:1/1 UNIT: mm DWG.NO:
 SIZE: A3 PAGE:1 OF 1 REV:A01
 APPROVED BY: TNOY CHECKED BY: BILL PREPARED BY: KELLY
 CUSTOMER COPY